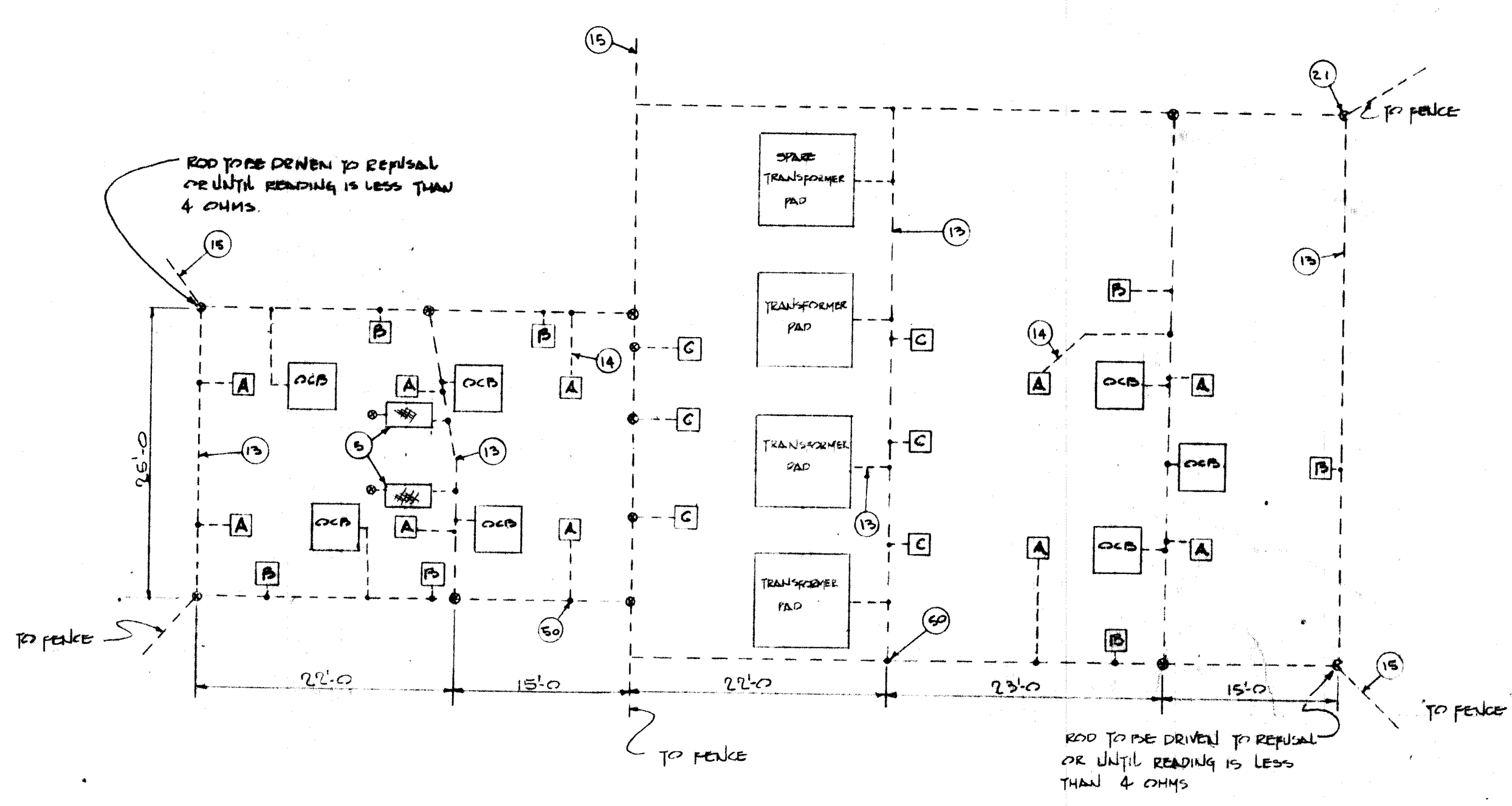
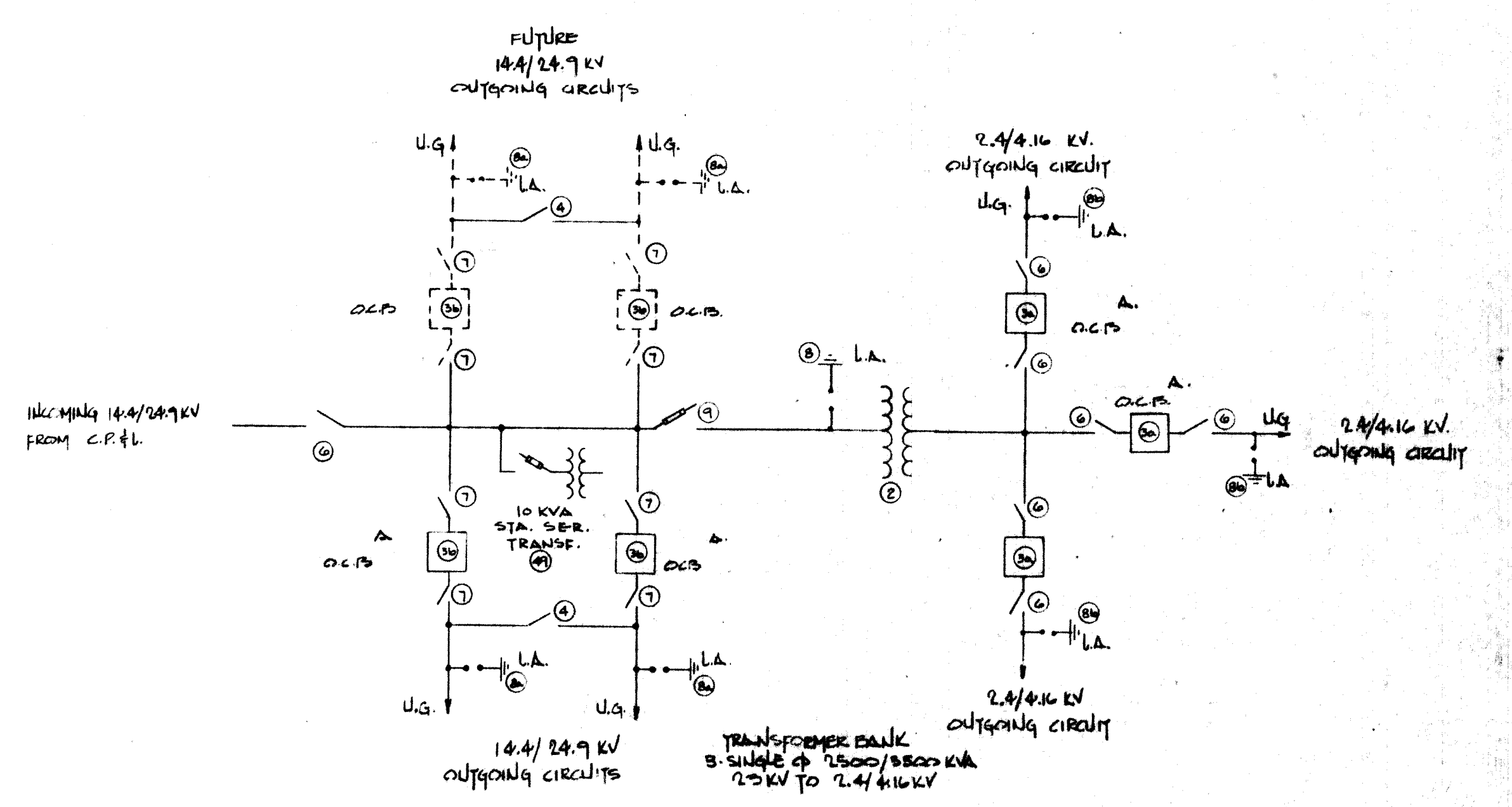


FOUNDATION PLAN  
SCALE: 3/16" TO 1/8"

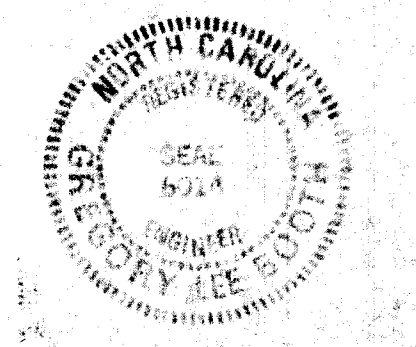


GROUNDING PLAN  
SCALE: 1" TO 10'

- (1) 3" copper clad rod, sectional rod
- (2) - - - - - groundable steel pipe copper unless noted
- (3) - - - - - all leads 1/2" copper unless otherwise noted
- (4) - - - - - #2 copper to fence
- (5) - - - - - cable to cablehead
- (6) - - - - - manually allowable ground resistance is 1 ohm



ONE LINE DIAGRAM  
NOT TO SCALE



DATE	REVISIONS

TOWN OF LOUISBURG  
LOUISBURG, NORTH CAROLINA

BOOTH & ASSOCIATES, INC., ENGINEERS  
RALEIGH, NC  
OWN BY: L.A.    C.D. BY: G.L.B.    APPD BY:    DATE: 2-1-74    ENGR. FILE NO. 120

LOUISBURG SUBSTATION  
FOUNDATION & GROUNDING PLAN  
AND  
ONE LINE DIAGRAM

SCALE: AS NOTED    SHEET: 2 of 2